


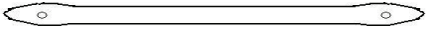
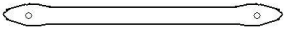





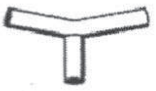

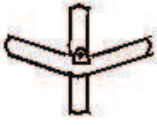
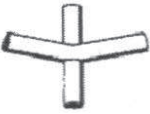
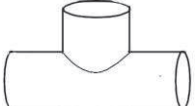


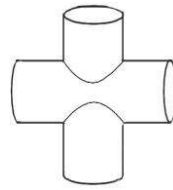
# 7X15M PVC PART LIST

(1) 1730mm Galvanized Pipe	
Quantity 32	
(2) 2090mm Galvanized Pipe(with a hole)	
Quantity 4	
(3) 2090mm Galvanized Pipe	
Quantity 45	
(4) 1760mm Galvanized Pipe	
Quantity 16	
(5) 630mm Galvanized Pipe	
Quantity 8	
(6) 1914mm Galvanized Pipe(with a hole)	
Quantity 4	
(7) 1914mm Galvanized Pipe	
Quantity 12	
(8) 2275mm Galvanized Pipe	
Quantity 6	
(9) 845mm Galvanized Pipe	
Quantity 4	
(10) 140° 3 Way joints	
Quantity 2	
(11) 110° 3 Way joints	
Quantity 2	
(12) 110° 3 Way joint	
Quantity 2	
(13) 140° 4 Way joints	
Quantity 6	
(14) 110° 4Way joints	
Quantity 12	
(15) 3 Way joints	

**Quantity4**

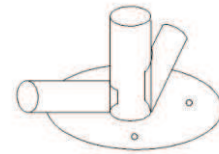
**(16) Cross 4 Way joints**

**Quantity 12**



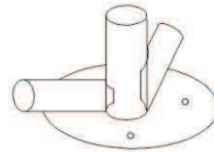
**(17) 3 Way joints**

**Quantity 2**



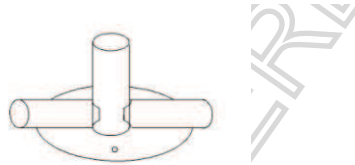
**(18) 3 Way joints**

**Quantity 2**



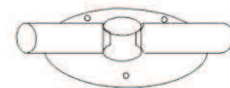
**(19) 3 Way joints**

**Quantity 12**



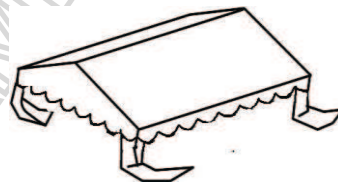
**(20) NO.14 3 Way joints**

**Quantity 4**



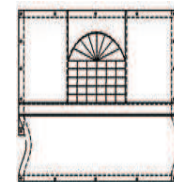
**(21) Top Cover**

**Quantity 1**



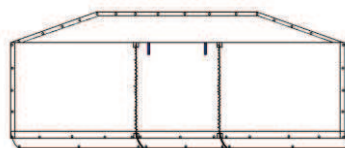
**(22)Side Panels**

**Quantity 12**



**(23)Door Panels**

**Quantity 2**



**(24)Steel wire and turn buckle**

**56pcs**

**28pcs**

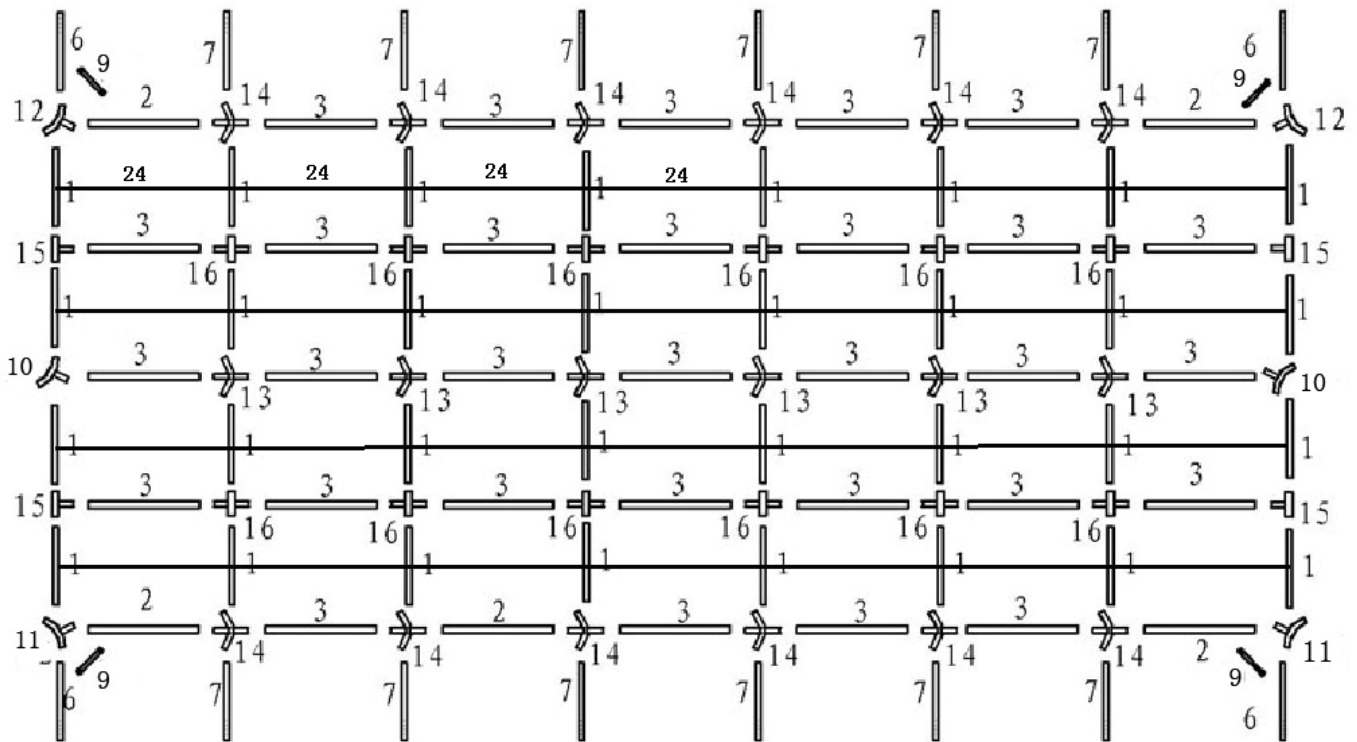


# 7X15M S STRUCTURE TENT

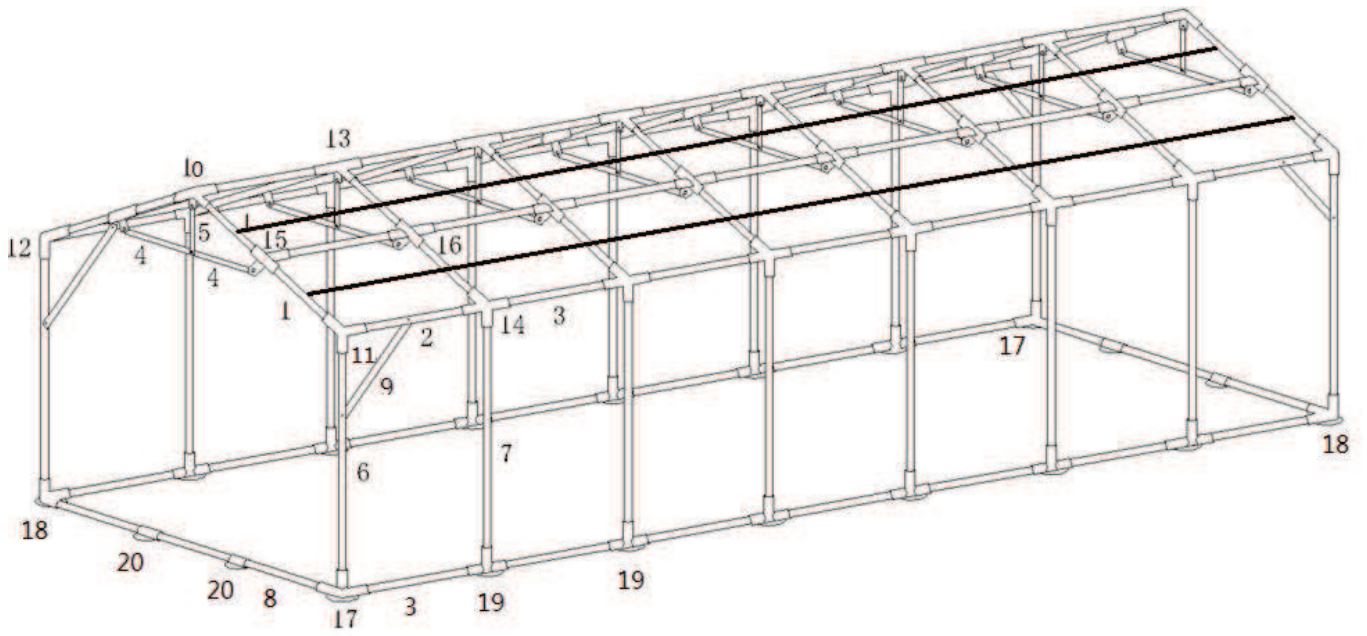
## INSTRUCTION

### FRAME ASSEMBLY

1. Place all joints, leg pipes and window pipes and connection pipe on the ground as shown. Push two pipes into the joints, use screws fix them. (More important, use steel wire and turn buckle(24) to go through the holes on Pipe No.1, pls do not tighten the turn buckle until you put all wire on.)



2. Connect pipes together starting with the center frame. Then assemble each side.

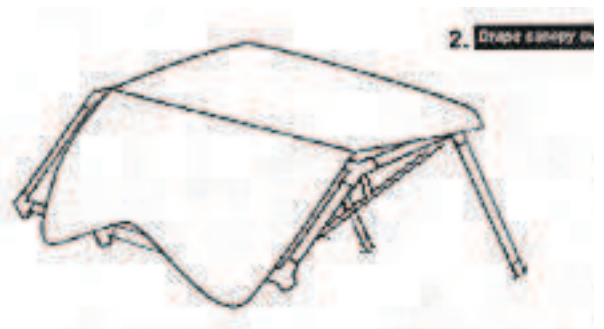
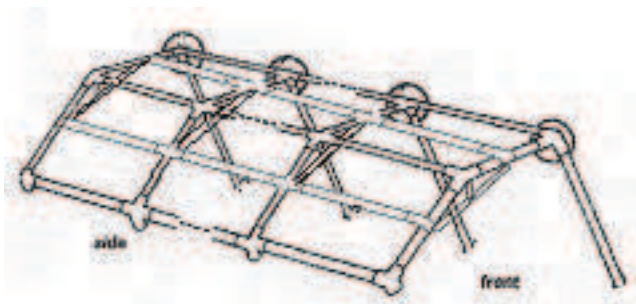


AMBISPHERE

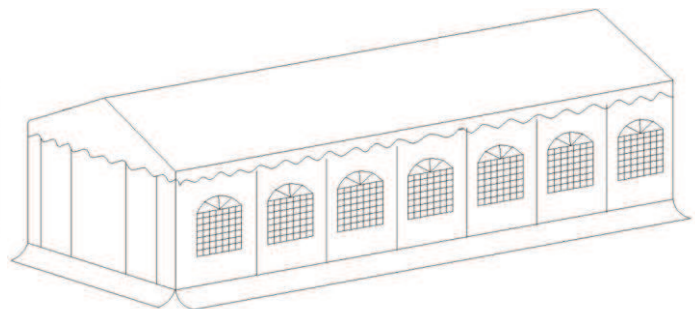
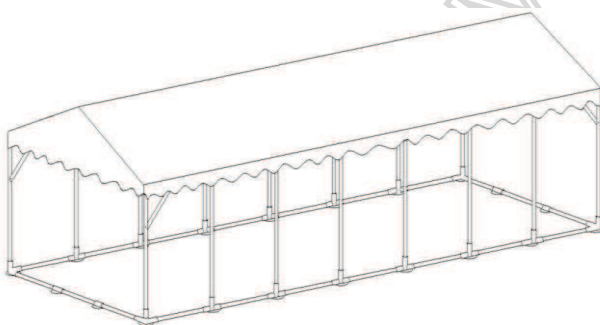
# ATTACHING COVER TO FRAME

1. Start by lifting one of the frame and inserting legs.
2. Drape cover over frame.
3. Next, lift the other side of the frame and insert remaining legs.
4. Hung up the all side panels and door panels.

**NOTE:** *Loosen the straps on the bottom of the legs when attach the cover. Adjust as needed after the canopy is assembled.*



Insert the remaining legs and finish attaching cover to frame. Then hung up the all side panels and set up the foot and the ground bar.



**NOTE:** USING TIR DOWNS OR PROPER ANCHOR KIT FOR YOUR NEEDS.