


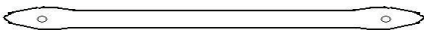
6X10M PVC PART LIST

- (1) 1470mm Galvanized Pipe
Quantity 24



- (2) 1940mm Galvanized Pipe
Quantity 41

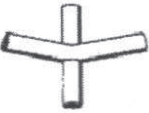

- (3) 1920mm Galvanized Pipe
Quantity 12



- (4) 1510mm Galvanized Pipe
Quantity 12


- (5) 510 Galvanized Pipe
Quantity 6

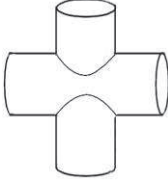

- (6) 110° 3 Way joint
Quantity 4

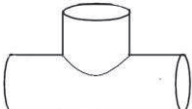

- (7) 110° 4Way joints
Quantity 8


- (8) 140° 3 Way joints
Quantity 2

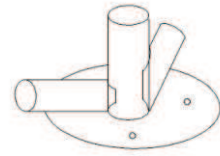

- (9) 140° 4 Way joints
Quantity 4


- (10) Cross 4 Way joints
Quantity 8

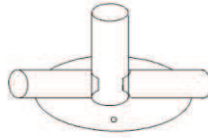

- (11) 3 Way joints
Quantity 4



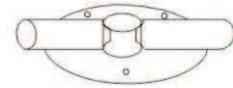
(12) NO.12 3 Way joints
Quantity 4



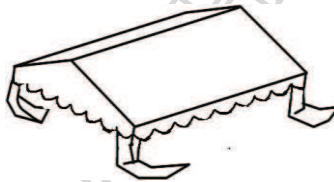
(13) NO.13 3 Way joints
Quantity 8



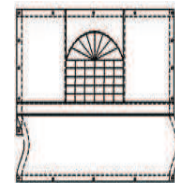
(14) NO.14 3 Way joints
Quantity 4



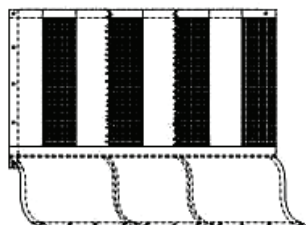
Top Cover
Quantity 1



Side Panels
Quantity 10
6pcs with windows

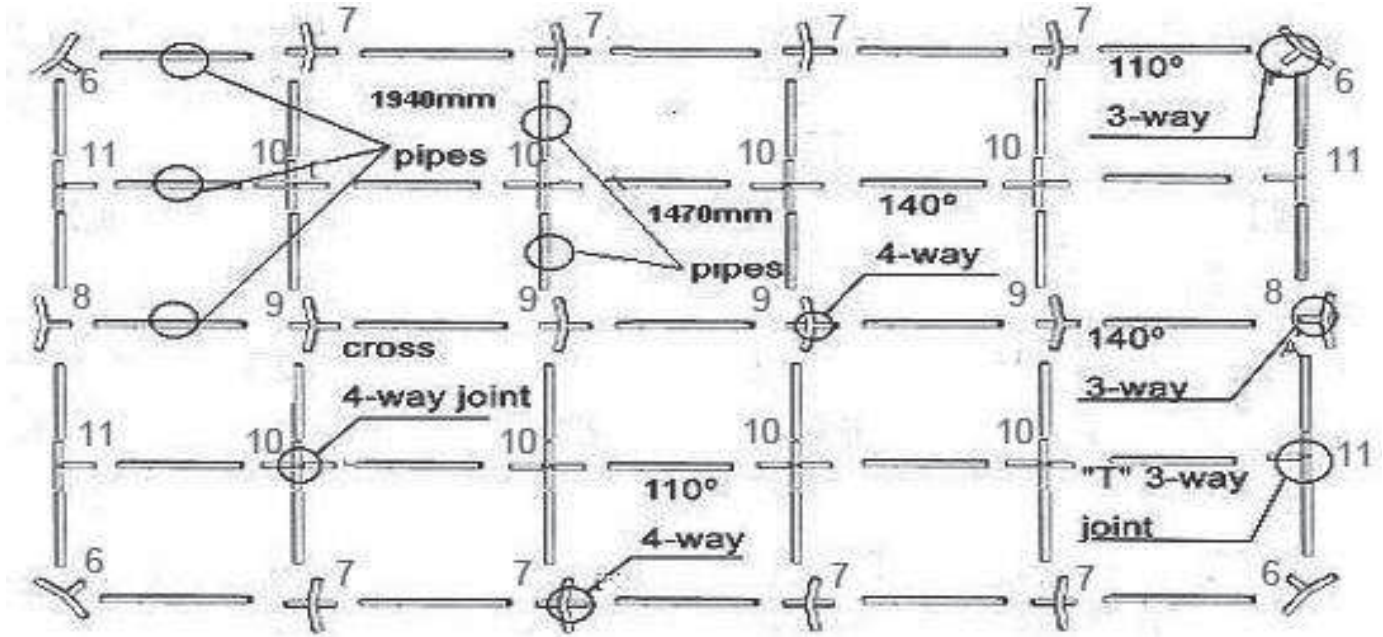


Door Panels
Quantity 2

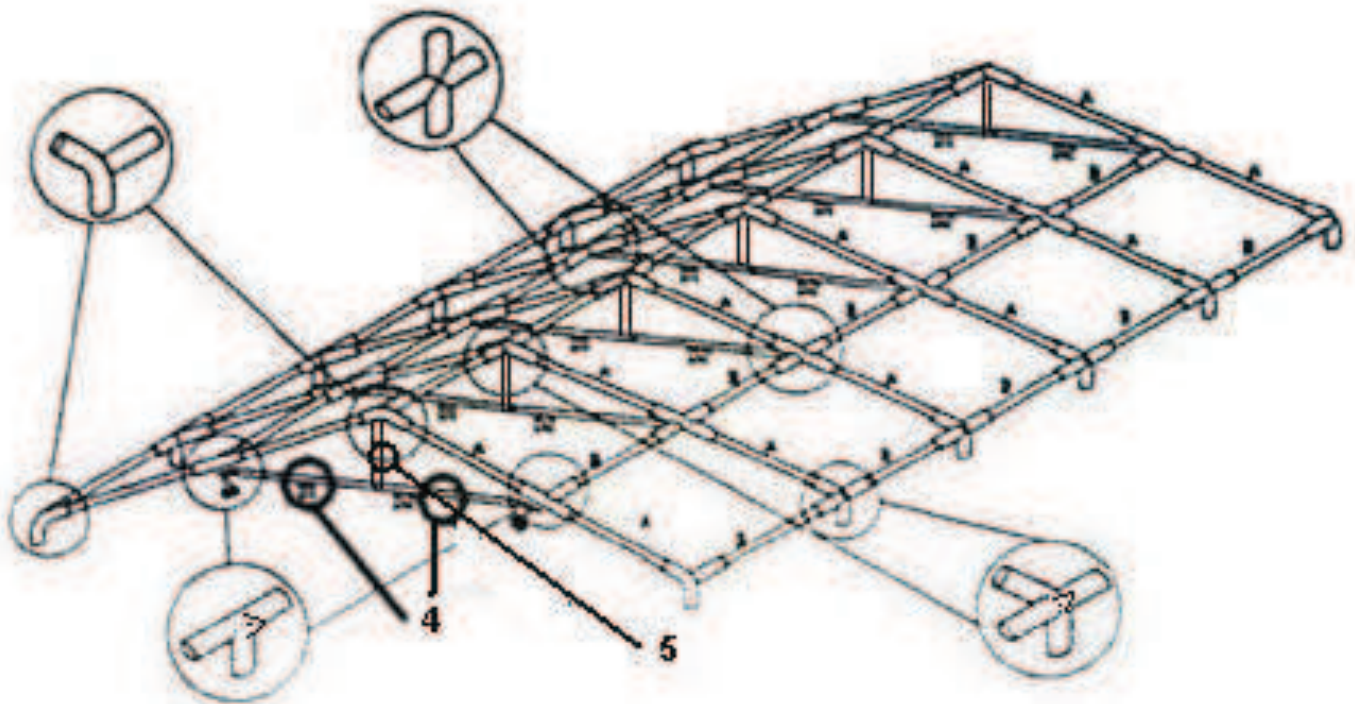


6X10M STRUCTURE TENT INSTRUCTION FRAME ASSEMBLY

1. Place all joints, 1940mm pipes and 1470mm pipes on the ground as shown. Push two pipes into the joints, use screws fix them.



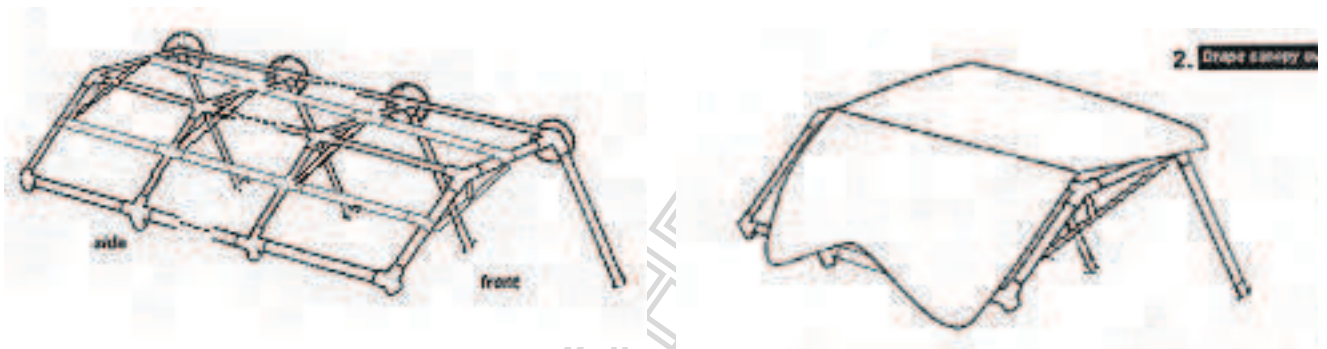
2. Connect pipes together starting with the center frame. Then assemble each side.



ATTACHING COVER TO FRAME

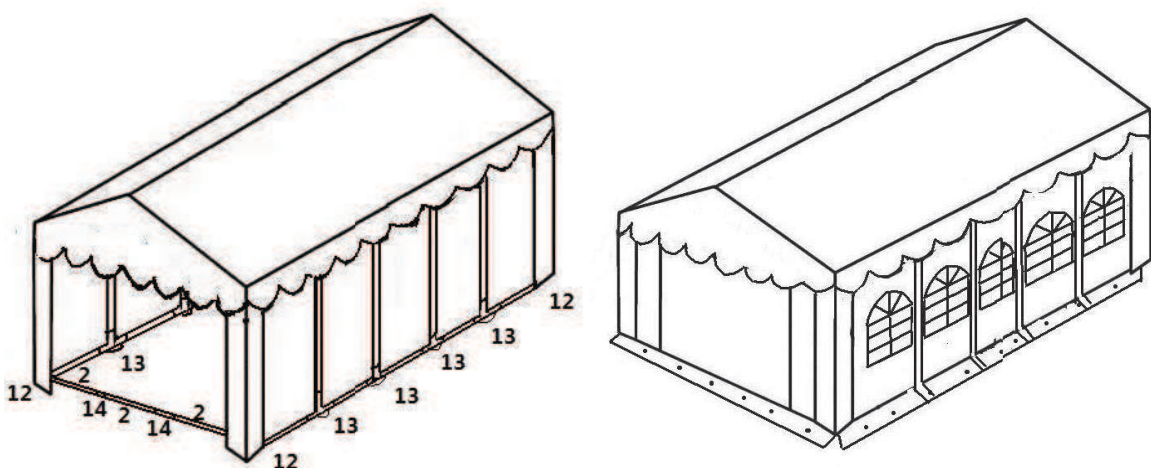
1. Start by lifting one of the frame and inserting legs.
2. Drape cover over frame.
3. Next, lift the other side of the frame and insert remaining legs.
4. Hung up the all side panels and door panels.

NOTE: *Loosen the straps on the bottom of the legs when attach the cover. Adjust as needed after the canopy is assembled.*



Insert the remaining legs and finish attaching cover to frame.

0. Then hung up the all side panels, and set up the foot and the ground bar.



NOTE: USING TIR DOWNS OR PROPER ANCHOR KIT FOR YOUR NEEDS.