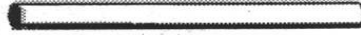


5X8M PVC PART LIST

(1) 1218mm Galvanized Pipe

Quantity 20



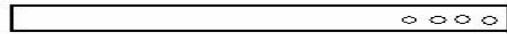
(2) 1940mm Galvanized Pipe

Quantity 20



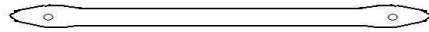
(3) 1920mm Galvanized Pipe

Quantity 10



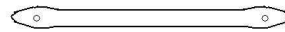
(4) 1275mm Galvanized Pipe

Quantity 10



(5) 470 Galvanized Pipe

Quantity 5



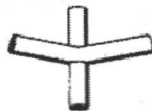
(6) 110° 3 Way joint

Quantity 4



(7) 110° 4Way joints

Quantity 6



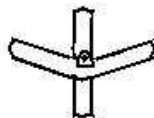
(8) 140° 3 Way joints

Quantity 2



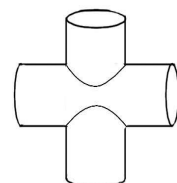
(9) 140° 4 Way joints

Quantity 3



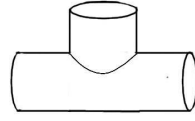
(10) Cross 4 Way joints

Quantity 6



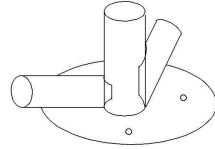
(11) 3 Way joints

Quantity 4



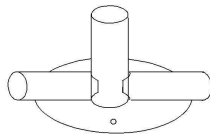
(12) NO.12 3 Way joints

Quantity 4



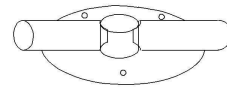
(13) NO.13 3 Way joints

Quantity 6



(14) NO.14 3 Way joints

Quantity 4



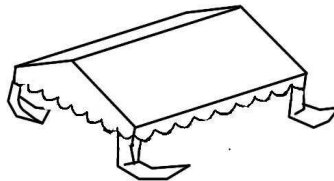
(15) No.15 Ground bar

Quantity 6



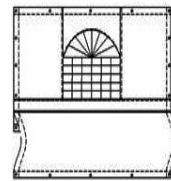
Top Cover

Quantity 1



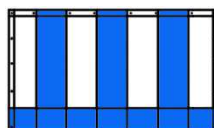
Side Panels

Quantity 8



Door Panels

Quantity 2

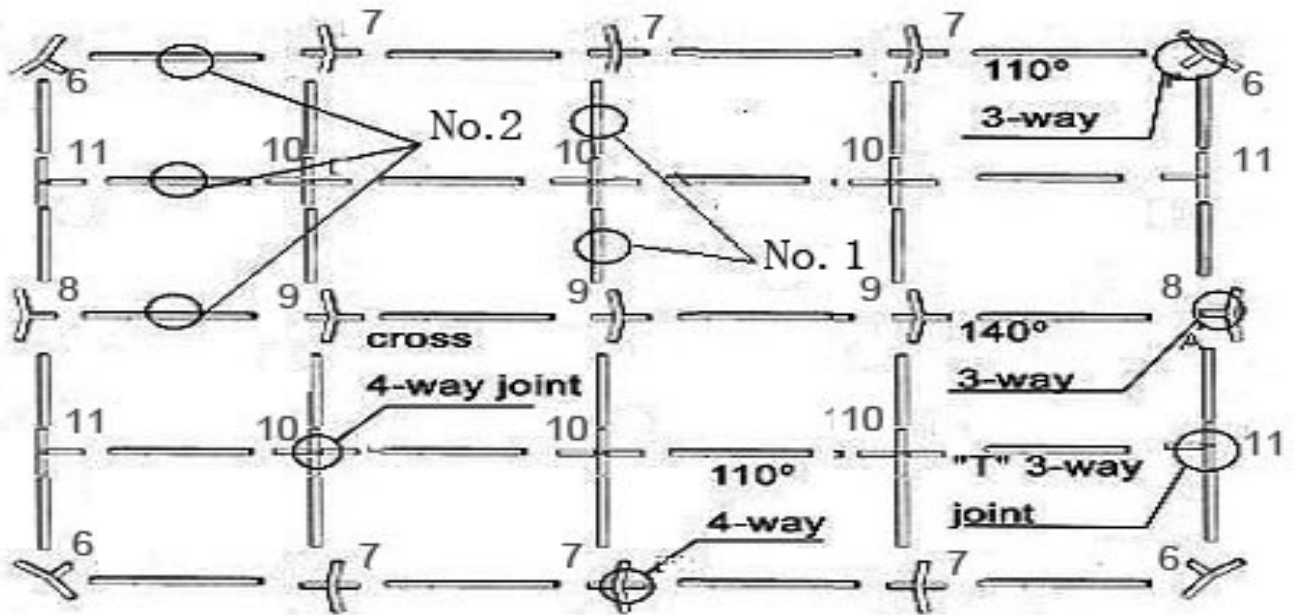


5X8M STRUCTURE TENT

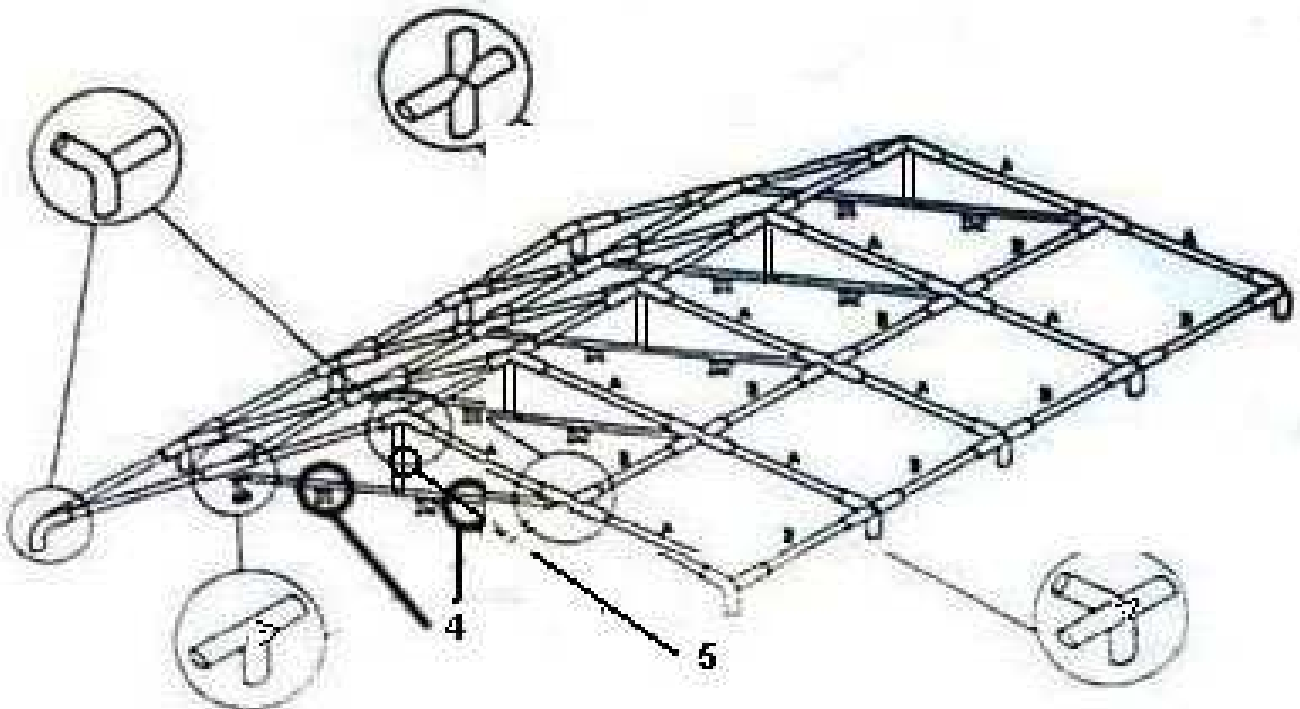
FRAME ASSEMBLY

INSTRUCTION

1. Place all joints, No.1 pipes and No.2 pipes on the ground as shown. Push two pipes into the joints, use screws fix them.



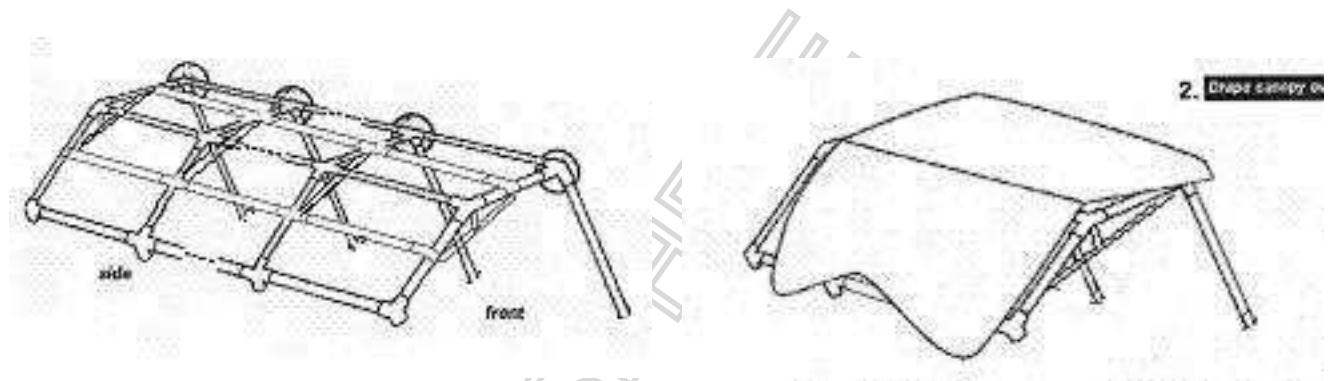
2. Connect pipes together starting with the center frame. Then assemble each side.



ATTACHING COVER TO FRAME

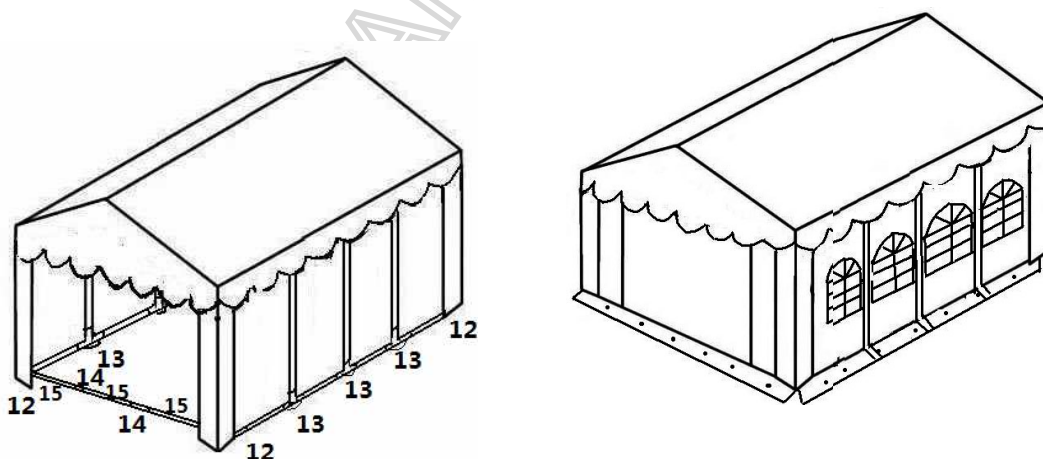
2. Drape cover over frame.
3. Next, lift the other side of the frame and insert remaining legs.
4. Hung up the all side panels and door panels.

NOTE: *Loosen the straps on the bottom of the legs when attach the cover. Adjust as needed after the canopy is assembled.*



Insert the remaining legs and finish attaching cover to frame.

0. Then hung up the all side panels.and set up the foot and the ground bar.



NOTE: USING TIR DOWNS OR PROPER ANCHOR KIT FOR YOUR NEEDS.